

# Hypra<sup>®</sup> IP 44, IP 66/67-55 panel mounting sockets

LV 16 to 125 A and ELV 16 and 32 A

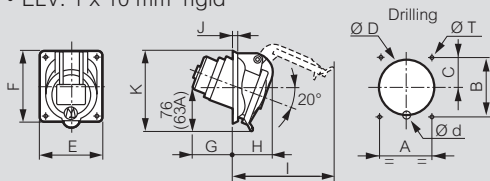
## Dimensions

### IP 44 - LV 16 to 63 A and ELV 16 and 32 A

External screws in stainless steel - Nickel-plated contacts  
Enable realization of surface mounting sockets, associated with reversible box

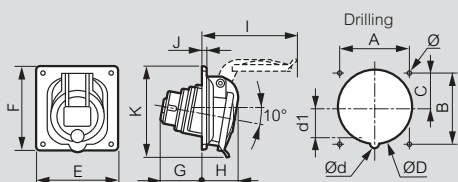
Terminal connection (max.):

- LV 16 A: 1 x 4 mm<sup>2</sup> rigid
- LV 32 A: 1 x 10 mm<sup>2</sup> rigid
- LV 63 A: 1 x 25 mm<sup>2</sup> rigid
- ELV: 1 x 10 mm<sup>2</sup> rigid



	Material	Weight (kg)	Drilling				Dimensions																				
			A	B	C	ØD	Ød	ØT	E	F	G	H	I	J	K	L											
<b>LV - 16 A</b>																											
2P+E	Plastic	0.110																									
	Metal	0.340	52	60	28	55	14.5	4.2	64	72	41	40	94	5.5	87	72.5											
3P+E	Plastic	0.140																									
	Metal	0.405	60	70	31	63.5	14.5	5.2	74	84	44	40	98	5.5	96	81											
3P+N+E	Plastic	0.165																									
	Metal	0.450	60	70	33	70.6	-	5.2	80	84	44	44	110	5.5	96	86.5											
<b>LV - 32 A</b>																											
2P+E/ 3P+E	Metal	0.605	70	80	38	76.2	10	5.2	84	94	50	53	120	5.5	103												
	Metal	0.660	70	80	38	76.2	10	5.2	84	94	52	56	124	5.5	107												
<b>LV - 63 A</b>																											
2P+E	Plastic	0.600																									
	Metal	0.950																									
3P+E	Plastic	0.640																									
	Metal	1.000	77	85	-	92	-	6.5	106	106	98	70	160	6	129												
3P+N+E	Plastic	0.700																									
	Metal	1.200																									
<b>ELV-16/32 A</b>																											
2P	Plastic	0.120	52	60	30	55	-	4.2	64	72	33	47	94	5.5	78.5												

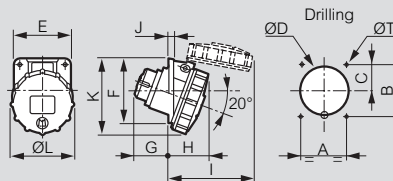
### IP 44 - LV 16 and 32 A with single fixing centres



	Weight (kg)	A	B	C	ØD	Ød	d1	E	F	G	H	I	J	K	Ø
<b>LV 16 A</b>															
2P+E	0.110	70	70	35	76.2	/	/	84	84	37	36	89	4.5	88	4.2
3P+E	0.140	70	70	35	76.2	/	/	84	84	43	36	97	4.5	89	4.2
3P+N+E	0.165	70	70	35	76.2	/	/	84	84	43	37	106	4.5	91	4.2
<b>LV - 32 A</b>															
2P+E/ 3P+E	0.220	70	70	35	76.2	-	-	84	94	54	45	117	4.5	100	4.2
3P+N+E	0.255	70	70	35	76.2	8	36	84	94	54	46	125	4.5	102	4.2

### IP 66/67-55 - LV 16 A

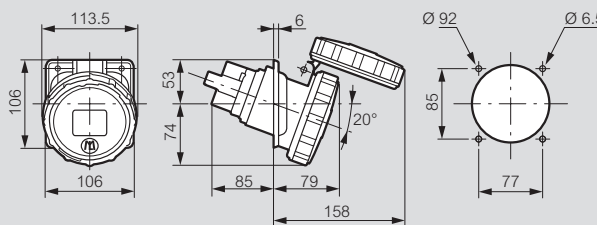
External screws in stainless steel - Nickel-plated contacts  
Terminal connection (max.): 1 x 4 mm<sup>2</sup> rigid or flexible



	Weight (kg)	Drilling				Dimensions																				
		A	B	C	ØD	ØT	E	F	G	H	I	J	K	L												
<b>LV - 16 A</b>																										
2P+E	0.140	52	60	33	55	4.2	64	72	40	45	91	5.5	87	72.5												
3P+E	0.165	60	70	39	63.5	5.2	74	84	41	48	102	5.5	96	81												
3P+N+E	0.195	60	70	37	70.6	5.2	80	84	42	50	106	5.5	96	86.5												

### IP 66/67-55 - LV 63 A

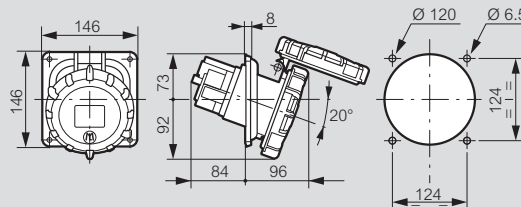
Terminal connection (max.): 1 x 25 mm<sup>2</sup> rigid



	Weight (kg)
2P+E	0.680
3P+E	0.710
3P+N+E	0.770

### IP 66/67-55 - LV 125 A

Terminal connection (max.): 1 x 70 mm<sup>2</sup> rigid

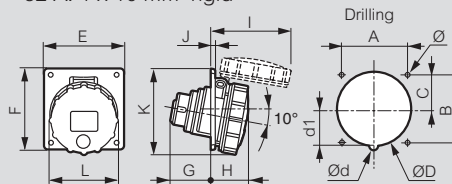


	Weight (kg)
3P+E	1.400
3P+N+E	1.550

### IP 66/67-55 - LV 16 and 32 A with single fixing centres

Terminal connection (max.):

- 16 A: 1 x 4 mm<sup>2</sup> rigid
- 32 A: 1 x 10 mm<sup>2</sup> rigid

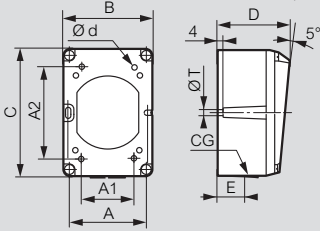


	Weight (kg)	Drilling				Dimensions (mm)										
		A	B	C	ØD	Ød	d1	Ø	E	F	G	H	I	J	K	ØL
<b>LV 16 A</b>																
2P+E	0.140	70	70	35	76.2	-	-	4.2	84	84	42	39	83	4.5	90	72.5
3P+E	0.165	70	70	35	76.2	-	-	4.2	84	84	43	41	98	4.5	93	81
3P+N+E	0.195	70	70	35	76.2	-	-	4.2	84	84	43	41	99	4.5	91	86.5
<b>LV 32 A</b>																
2P+E	0.240	70	70	35	76.2	-	-	4.2	84	94	54	50	113	4.5	101	94.5
3P+E	0.240	70	70	35	76.2	-	-	4.2	84	94	54	50	113	4.5	101	94.5
3P+N+E	0.270	70	70	35	76.2	8	36	4.2	84	94	54	51	120	4.5	103	101

## Hypra<sup>®</sup> IP 44, IP 66/67-55 surface mounting sockets reversible box

### ■ Dimensions

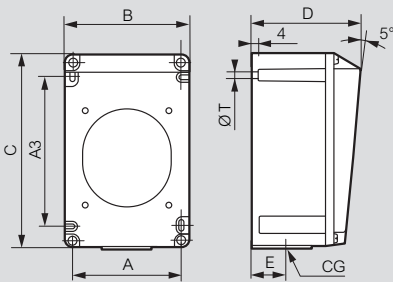
IP 44 ELV 16 and 32 A - IP 44, IP 66/67-55 - LV 16 A



Fix A1 and A2:  
Blind optional fixing points  
Metal boxes fitted with  
- 2 connected earth terminals and  
1 outside terminal  
- 1 sleeve for metal socket's ground pin

Surface mounting sockets → Panel mounting sockets ↓	Material	Weight (kg)	Drilling					Dimensions					CG cable gland
			A1	A2	Ød	A	ØT	B	C	D	E		
<b>IP 44 - ELV 16/32 A</b>													
2P+E	Plastic	0.115	51	68	4.2	64	5.3	74	106	58	20	M 25	
<b>IP 44 and IP 66/67-55 - LV 16 A</b>													
2P+E	Plastic	0.115	51	68	4.2	64	5.3	74	106	58	20	M 20	
	Metal	0.400											
3P+E/ 3P+N+E	Plastic	0.160	68	68	4.2	85	5.3	96	122	60	22	M 20	
	Metal	0.520											

IP 44, IP 66/67-55 - LV 32 A



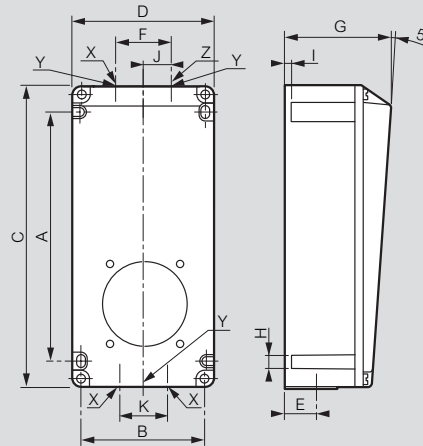
Blind optional fixing points  
Metal boxes fitted with  
- 2 connected earth terminals and  
1 outside terminal  
- 1 sleeve for metal socket's ground pin

Surface mounting sockets → Panel mounting sockets ↓	Material	Weight (kg)	Drilling				Dimensions				CG cable gland	
			A	A3	ØT	B	C	D	E			
<b>IP 44 and IP 66/67-55 - LV 32 A</b>												
2P+E/ 3P+E/ 3P+N+E	Plastic	0.340	90	125	5.3	102	162	90	26			M 25
	Metal	0.910										

## Hypra<sup>®</sup> IP 44, IP 66/67-55 and IP 66/67 through wiring surface mounting sockets

### ■ Dimensions

IP 44 - LV 16 to 63 A, IP 66/67-55 - LV 16 and 32 A, IP 66/67 - LV 63 A



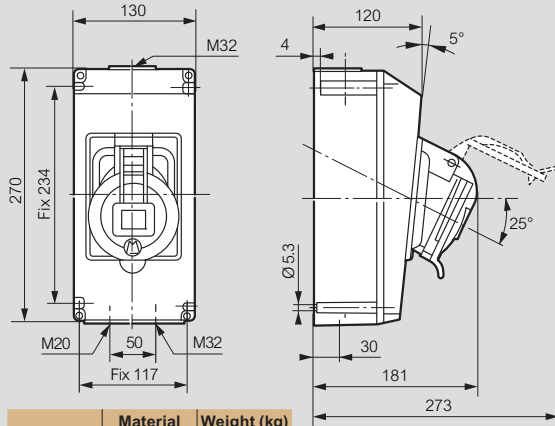
Surface mounting sockets → Panel mounting sockets ↓	Material	Weight (kg)	Drilling							Dimensions									
			A	B	H	C	D	E	F	G	I	J	K	X	Y	Z			
<b>16 A</b>																			
2P+E	Plastic	0.330	145	74	5.3	182	86	22	34	75	4	-	-	-	M 20				
	Metal	0.830																	
3P+E/ 3P+N+E	Plastic	0.440	175	88	5.3	212	100	22	40	77	4	-	-	-	M 20				
	Metal	0.980																	
<b>32 A</b>																			
2P+E/ 3P+E/ 3P+N+E	Plastic	0.670	234	117	5.3	270	130	30	50	120	4	-	-	-	M 25				
	Metal	1.730																	
<b>63 A (Panel appliance inlets 63 A can be fixed)</b>																			
2P+E/ 3P+E/ 3P+N+E	Plastic	2.000	260	152	6.3	300	170	40	-	150	8	50	70	M 32	-				
	Metal	4.300																	

## Hypra<sup>®</sup> IP 44 and IP 66/67-55 surface mounting sockets

External screws in stainless steel - Nickel-plated contacts

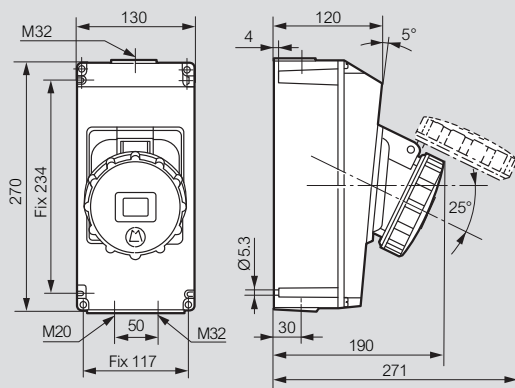
### IP 44 - LV 63 A

Terminal connection: 1 x 25 mm<sup>2</sup> rigid max.



	Material	Weight (kg)
3P+E	Plastic	1.45
	Metal	4.95
3P+N+E	Plastic	1.5
	Metal	5

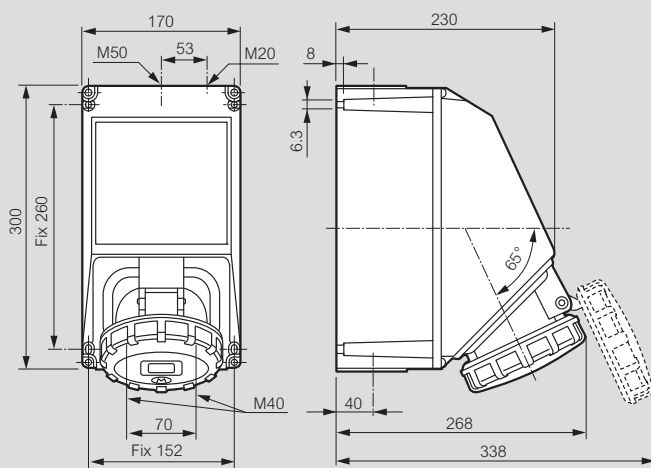
### IP 66/67-55 - LV 63 A



	Weight (kg)
2P+E	1.500
3P+E	1.550
3P+N+E	1.600

### IP 66/67-55 - LV 125 A

Terminal connection: 1 x 70 mm<sup>2</sup> rigid max.



	Weight (kg)
3P+E	3.5
3P+N+E	3.7

## Hypra<sup>®</sup> IP 44 - panel appliance inlets and reversible boxes

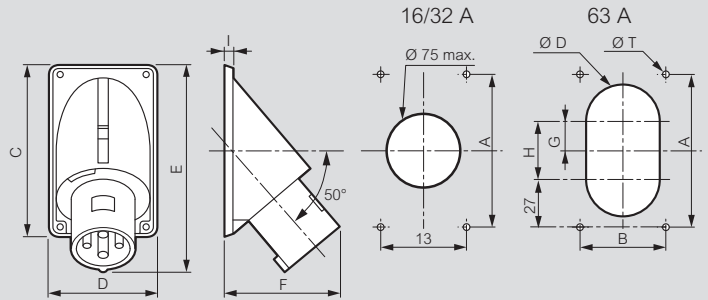
External screws in stainless steel - Nickel-plated contacts

### Panel appliance inlets (inclined)

#### IP 44: LV 16, 32 and 63 A

Terminal connections:

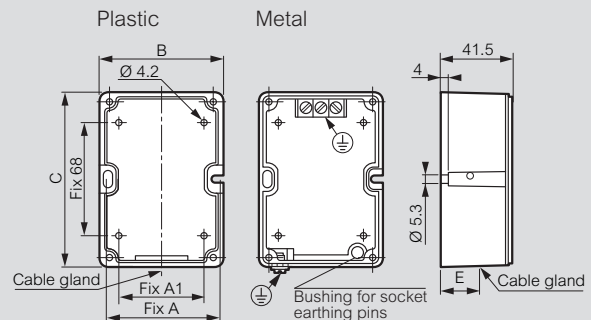
- 16 A: 1 x 2.5 mm<sup>2</sup> max. rigid
- 32 A: 1 x 6 mm<sup>2</sup> max. rigid
- 63 A: 1 x 25 mm<sup>2</sup> max. rigid



	Material	Weight (kg)	Drilling					Dimensions				
			A	B	Ø T	Ø G	H	C	D	E	F	I
<b>LV - 16 A</b>												
2P+E	Plastic	0.140	94	62	4.5	40	-	-	104	72	121	78
	Metal	0.530										
3P+E	Plastic	0.160	109	83	4.5	40	-	-	120	94	135	86
	Metal	0.630										
3P+N+E	Plastic	0.190	109	83	4.5	40	-	-	120	94	139	86
	Metal	0.690										
<b>LV - 32 A</b>												
2P+E/ 3P+E	Plastic	0.280	149	90	5.5	40	-	-	160	101	176	111
	Metal	0.950										
3P+N+E	Plastic	0.320	149	90	5.5	40	-	-	160	101	174	108
	Metal	1.000										
<b>LV - 63 A</b>												
2P+E	Plastic	0.560	163	93	6.5	80	42	62	183	113	221	120
	Metal	2.230										
3P+E	Plastic	0.630	163	93	6.5	80	42	62	183	113	221	120
	Metal	2.450										

### Reversible boxes for surface appliance inlets

#### LV 16 A



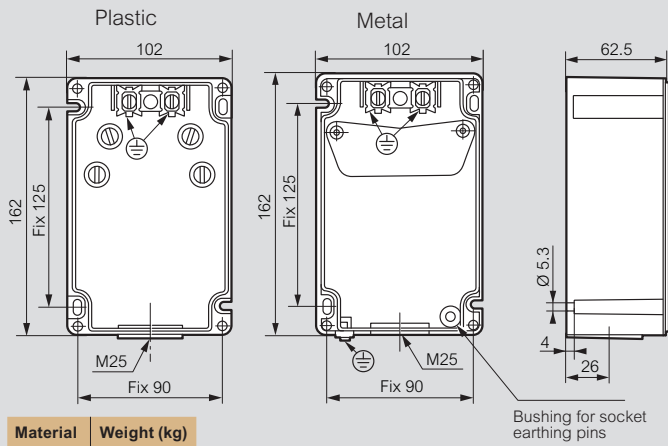
Fix A1 and Fix 68:  
Blind optional fixing points

	Material	Weight (kg)	A	A1	B	C	E	Cable gland
2P+E	Plastic	0.085	64	51	74	106	20	M20
	Metal	0.250						
3P+E	Plastic	0.110	85	68	96	122	22	M20
	Metal	0.360						

## Hypra<sup>®</sup> IP 44 and IP 66/67-55 - appliance inlets and reversible boxes

### LV 32 A

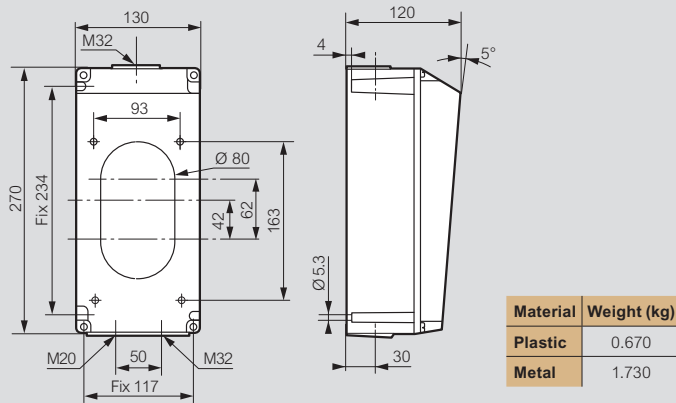
Fitted with 2 connected earth terminals and 1 outside terminal on metal box



Material	Weight (kg)
Plastic	0.240
Metal	0.650

### LV 63 A

Fitted with 2 connected earth terminals and 1 outside terminal on metal box



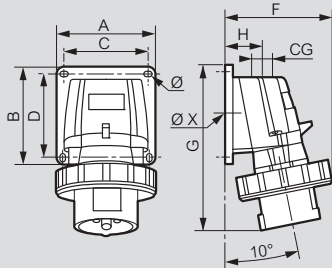
Material	Weight (kg)
Plastic	0.670
Metal	1.730

### Surface mounting appliance inlets

#### IP 66/67-55 - LV 16 and 32 A

Terminal connections:

- 16 A: 1 x 2.5 mm<sup>2</sup> max. rigid
- 32 A: 1 x 6 mm<sup>2</sup> max. rigid



	Weight	A/B	C/D	F	G	H	CG cable gland	Ø	ØX
<b>16 A</b>									
2P + E	0.188	84	72	87	126	34	M 20	4.3	17
3P + E	0.257			95	134				
3P+N+E	0.297			100	141				
<b>32 A</b>									
2P + E	0.370	110	98	107	168	39	M 25	5.3	24
3P + E				113					
3P+N+E				0.413					

## Hypra<sup>®</sup> IP 66/67-55 - appliance inlets and sockets with break isolating switch

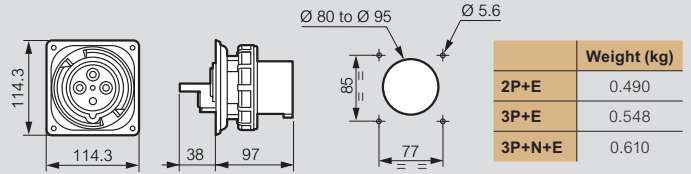
### Panel mounting appliance inlets

External screws in stainless steel - Nickel-plated contacts

#### IP 66/67-55 - 63 A

Can be fixed on box Cat.No 0 538 89

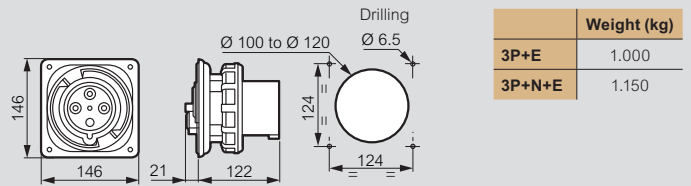
Terminal connection: 1 x 16 mm<sup>2</sup> max. rigid



	Weight (kg)
2P+E	0.490
3P+E	0.548
3P+N+E	0.610

#### IP 66/67-55 - 125 A

Terminal connection: 1 x 50 mm<sup>2</sup> max. rigid



	Weight (kg)
3P+E	1.000
3P+N+E	1.150

### Socket with break isolating switch

#### IP 66/67-55 - LV 125 A

IP 67 according to IEC and EN 60529

Icc 10 kA according to IEC and EN 60309-1

Panel mounting sockets: IK 09 according to IEC and EN 62262

External screws in stainless steel

