

LSA connection module

P/N: KE-AD-C61S

10
Gigabit

Cat.6A
system

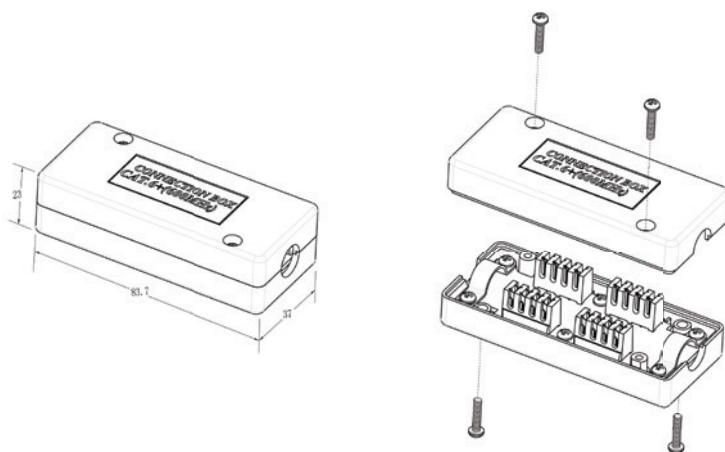
600
MHz

+



features

- designed for reconnecting damaged cables or in case of necessity to extend the link
- LSA termination blocks ensuring cable connection
- guarantees a bandwidth of 600 MHz
- performance category depends on a specific topology and network configuration
- Cat.6A/Class E_A channel - with Cat.6_A, Cat.7, Cat.7_A cables



mechanical properties

Suitable for cables with	solid wire from 0,40 mm to 0,64 mm (AWG 26 - AWG 22)
	outer diameter from 4,5 to 7,9 mm
Insulation resistance	500 MΩ min
Contact resistance	20 mΩ max
Current rating	1,5 A
Test voltage	1000V @ 60Hz / 1min

related products

P/N: KE500S23/1E	STP cable 4x2xAWG23, Category 6 _A , 500 MHz, LSOH
P/N: KE550S23/1E	STP cable 4x2xAWG23, Category 6 _A , 550 MHz, LSOH
P/N: KE900HS23	S/FTP cable 4x2xAWG23, Category 7, 900 MHz, LSOH
P/N: KE1200HS23	S/FTP cable 4x2xAWG23, Category 7 _A , 1200 MHz, LSOH
P/N: KE500S23OUT	STP cable 4x2xAWG23, Category 6 _A , 500 MHz for outdoor use
P/N: KE400S23LSOH	STP cable 4x2xAWG23, Category 6, 250 MHz, LSOH
P/N: KE300S24	FTP (F/UTP) cable 4x2xAWG24, Category 5E, 125 MHz
P/N: KE300S24LSOH	FTP (F/UTP) cable 4x2xAWG24, Category 5E, 125 MHz, LSOH
P/N: KE300S24OUT	FTP (F/UTP) cable 4x2xAWG24, Category 5E, 125 MHz for outdoor use
P/N: 64172055-01	LSA insertion tool Krone®