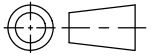
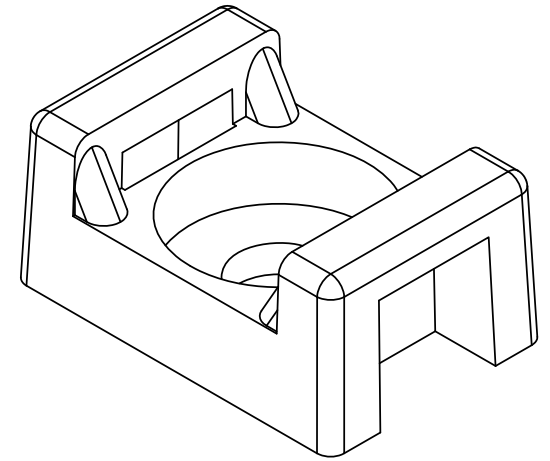
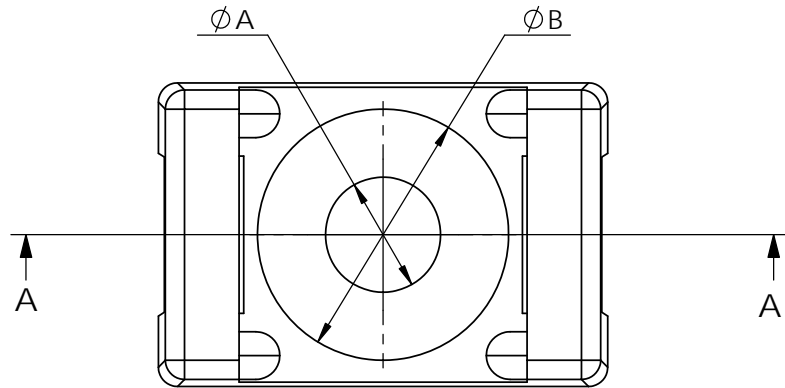


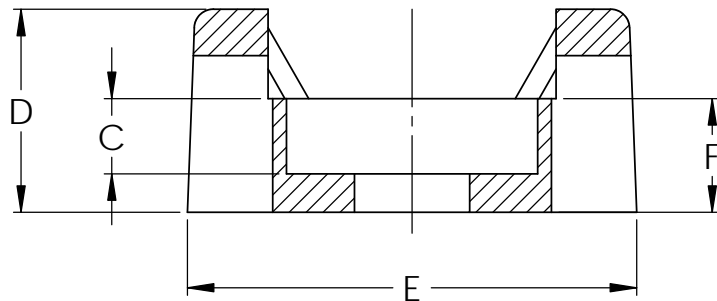
SW2015



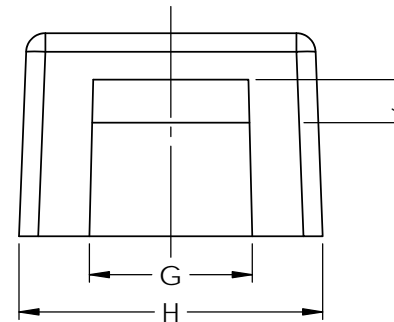
Revision level			Revision Record	Changed	Date	Approved	Date
Drawing	State	Part					
02.1	Design Release	-	SEE ECN# 013527	CTF	8/18/16	KAC	8/18/16



**ISOMETRIC VIEW**  
CTM0 SHOWN



SECTION A-A



**NOTE:**

1. SUPERSEDES DRAWING MT2003100SER, REV. 03

J ±.010	H ±.020	G ±.010	F ±.010	E ±.020	D ±.010	C ±.010	B ±.010	A ±.010	MOUNTING SCREW SIZE	CABLE TIE SERIES	TYPE NAME
0.081	0.616	0.307	0.210	0.864	0.372	0.148	0.499	0.258	1/4"	T18 THRU T120	CTM4
0.082	0.609	0.305	0.207	0.858	0.374	0.114	0.381	0.195	#10	T18 THRU T120	CTM3
0.073	0.605	0.305	0.208	0.857	0.372	0.114	0.380	0.176	#8	T18 THRU T120	CTM2
0.056	0.370	0.201	0.147	0.579	0.266	0.098	0.327	0.187	#8	T18 THRU T50	CTM1
0.056	0.375	0.202	0.148	0.578	0.266	0.098	0.327	0.150	#6	T18 THRU T50	CTM0

Material  
PA66; PA66VO;  
PA66HIRHS

Units: **inches**  
  
Tolerance defined on each dimension

The copyright of this drawing is reserved by HellermannTyton. It is issued on condition that it is not reproduced, copied, or disclosed to a third party, either wholly or in part, without the consent of HellermannTyton.

Drawn CTF 8/17/16  
Approved KAC 8/17/16

**HellermannTyton**  
North America  
Email: corp@htamericas.com  
Web: www.hellermann.tyton.com

Article/Type-No SEE CHART  
Title CTM SERIES CABLE TIE MOUNT  
Drawing-No 16-1331-010-CSU  
Production : Phase

Scale 4:1  
Project Number PRP 16-1331  
Format AH  
Sheet 1/1